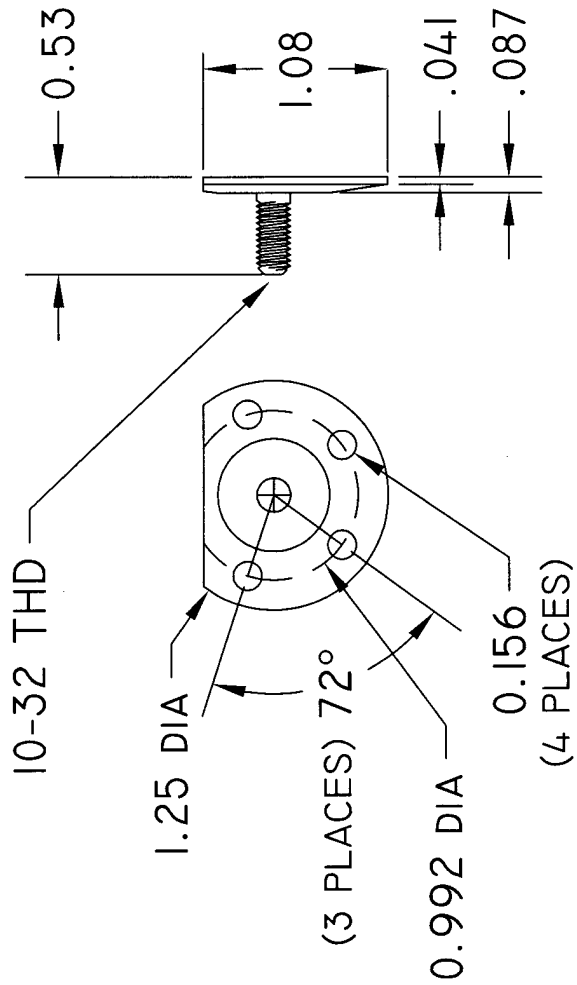


INSTALLATION NOTES

1. CLEAN PROPOSED MOUNTING SURFACE OF DUST, OIL OR PAINT.
2. COAT BOTTOM OF BOND STUD WITH E-6000 ADHESIVE TO DEPTH OF 1/16" FOR FLAT SURFACES, DEEPER FOR CONCAVED SURFACES. E-6000 IS AVAILABLE FROM MOST HARDWARE STORES.
3. PRESS STUD INTO PLACE SUCH THAT THE ADHESIVE SQUEEZES OUT ALL AROUND THE PERIPHERY OF THE BASE AND THROUGH THE HOLES.
4. IF WORKING ON A NON-HORIZONTAL SURFACE, PUT STRIP OF DUCT TAPE OVER STUD TO HOLD IN PLACE UNTIL ADHESIVE SETS.
5. E-6000 IS A SOLVENT BASED MATERIAL. IT WILL TAKE 24 HOURS AT ROOM TEMPERATURE TO ACHIEVE 75% STRENGTH. PERHAPS A WEEK FOR FULL STRENGTH. DON'T BE IN A RUSH TO LOAD THE FITTING.
6. 3-4 HOURS AFTER FIRST ATTACHMENT, YOU CAN HASTEN CURING BY TRIMMING OFF THE ADHESIVE THAT EXTRUDES THROUGH THE HOLES FLUSH TO THE SURFACE OF THE BASE.
7. NOT RECOMMENDED FOR USE UNDER THE COWL.
8. IF INSTALLING ON A NON-METALIC, COMPOSITE SURFACE, INVESTIGATE EFFECT OF E-6000 ON SURFACE.



(-1) BOND STUD

MATERIAL: ALUMINUM ALLOY
 FABRICATION: SINGLE PIECE, COLD-FORMED

<p>AeroElectric Connection 6936 Bainbridge Road, Wichita KS 67226-1008</p>		<p>BOND STUD</p>	
<p>TITLE</p>		<p>DRAWING NO. BS-1</p>	
<p>UNLESS OTHERWISE SPECIFIED DIMENSIONS ARE IN INCHES TOLERANCES ARE: DECIMAL 0.XX = ±0.03 DECIMAL 0.XXX = ±0.005 ANGLES = ±2 DEGREES</p>		<p>REVISION</p>	
<p>DRAWN</p>		<p>DATE</p>	
<p>CHECK</p>		<p>8-28-5</p>	
<p>PROJECT</p>		<p>SCALE</p>	
<p>APPROVED</p>		<p>FULL JOB NO.</p>	
<p>SCALE</p>		<p>PAGE OF </p>	